

CONSTIX® Cotton Swab SC-1

Medium double-ended pointed cotton swab

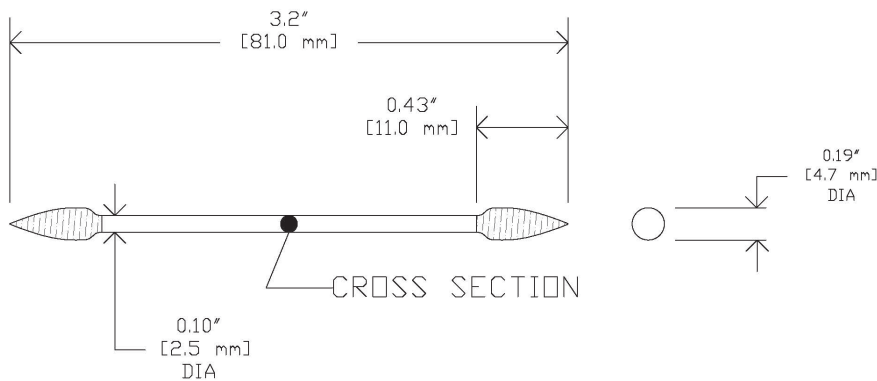
CONSTIX® SC-1 double-ended pointed cotton swabs consist of high quality, long staple-length cotton, tightly wrapped and shaped on both ends of high strength, wound paper handles. The heads are held to the handles using a methyl-cellulose binder. These swabs are Sanyo Huby brand swabs imported by Contec®.





The high-quality cotton fibers provide exceptional sorbency of most solvents and solutions. The heads are very tightly wrapped and shaped using a methyl-cellulose binder which minimizes fiber shedding. The SC series cotton swabs are absorbent to most common solvents including isopropyl alcohol and acetone, and are ideal for use with aqueous based solutions.

Features	Benefits
High-quality cotton fibers	<ul style="list-style-type: none"> • Provide excellent particle entrapment and retention
Tightly wrapped head	<ul style="list-style-type: none"> • Helps maintain low levels of extractable residue

Part No.	Description	Size	Packaging
SC-1	CONSTIX Cotton swab	Head dimension: 0.19" x 0.43" (4.7 x 11.0 mm) Handle diameter: 0.10" (2.5 mm) Total length: 3.2" (81.0 mm)	3,750/case



Product Information	
Head material	<ul style="list-style-type: none"> • Cotton
Handle material	<ul style="list-style-type: none"> • Wound paper
Construction	<ul style="list-style-type: none"> • Methyl-cellulose binder
Packaging materials	<ul style="list-style-type: none"> • Outer bags (OB1): low density polyethylene (LDPE)  Case (BX, CS): corrugated fiberboard (PAP) 

Recycle Symbols



Packaging	EA/OB1	OB1/BX	BX/CS	EA/CS
SC-1	25	50	3	3,750

EA = each; OB = outer bag; BX = box; CS = case